

ULISSE EVO RANGE, BRACKETS



UEBP0

PARAPET BRACKET WITH INTERNAL CABLE CHANNEL

Aluminium pressure casting construction

Dimensions: Ø129x53mm (5x2in)



UEBP0

UEBP4 - UEBP7

PARAPET SUPPORT WITH QUICK CONNECTORS

Aluminium pressure casting construction

Quick connectors RJ45 (Ethernet and PoE) + 4/7 poles (power supply and I/O)

Dimensions: 129x53x180mm (5x2x7in)



UEBP4 - UEBP7

UEBW

WALL BRACKET WITH INTERNAL CABLE CHANNEL

Aluminium pressure casting construction

Dimensions: 129x247x114mm (5x9.7x4.5in)



UEBW

UEAP

POLE MOUNT ADAPTOR

AISI 316L stainless steel construction

For pole diameters: from 60mm to 200mm

Dimensions: 121x85mm (4.7x3.3in)



UEAP

UEAC

CORNER MOUNT ADAPTOR

AISI 316L stainless steel construction

Dimensions: 120x220mm (4.7x8.7in)



UEAC

UEAW

COUNTER-PLATE

AISI 316L stainless steel construction

Dimensions: 200x200x25mm (7.9x7.9x0.98in)



UEAW

TECHNICAL DATA

UEBP0

MECHANICAL

Bracket for ULISSE EVO PTZ
Aluminium pressure casting construction
Dimensions: Ø129x53mm (5x2in)
Unit weight: 0.5kg (1.1lb)

PART NUMBER

UEBP0AA	Parapet bracket with internal cable channel for ULISSE EVO, grey-white (RAL9002)
UEBP0FA	Parapet bracket with internal cable channel for ULISSE EVO, black colour (RAL9005)

PACKAGE

Model Number	Weight	Dimensions (WxHxL)	Master carton
UEBP0	0.7kg (1.5lb)	18x20x7cm (7x7.9x2.8in)	-

UEBP4 - UEBP7

MECHANICAL

Bracket for ULISSE EVO PTZ
Aluminium pressure casting construction
Dimensions: 129x53x180mm (5x2x7in)
Unit weight: 0.65kg (1.4lb)

PART NUMBER

UEBP4AA	Parapet bracket with quick connectors RJ45 (Ethernet and PoE) + 4 poles with screw terminal (power supply and I/O) for ULISSE EVO grey-white (RAL9002)
UEBP4FA	Parapet bracket with quick connectors RJ45 (Ethernet and PoE) + 4 poles with screw terminal (power supply and I/O) for ULISSE EVO, black colour (RAL9005)
UEBP7AA	Parapet bracket with quick connectors RJ45 (Ethernet and PoE) + 7 poles to weld (power supply and I/O) for ULISSE EVO, grey-white (RAL9002)
UEBP7FA	Parapet bracket with quick connectors RJ45 (Ethernet and PoE) + 7 poles to weld (power supply and I/O) for ULISSE EVO, black colour (RAL9005)

PACKAGE

Model Number	Weight	Dimensions (WxHxL)	Master carton
UEBP4	0.85kg (1.87lb)	18x20x7cm (7x7.9x2.8in)	-
UEBP7	0.85kg (1.87lb)	18x20x7cm (7x7.9x2.8in)	-

UEBW

MECHANICAL

Bracket for ULISSE EVO PTZ
Aluminium pressure casting construction
Dimensions: 129x247x114mm (5x9.7x4.5in)
Unit weight: 0.8kg (1.8lb)

PART NUMBER

UEBWAA	Wall bracket fo ULISSE EVO, grey-white (RAL9002)
UEBWFA	Wall bracket fo ULISSE EVO, black colour (RAL9005)

PACKAGE

Model Number	Weight	Dimensions (WxHxL)	Master carton
UEBW	1.15kg (2.5lb)	17x30.5x13cm (6.7x12x5.1in)	-

UEAP

MECHANICAL

Bracket for UEBW (ULISSE EVO) and for NVX, NTX cameras
AISI 316L stainless steel construction
For pole diameters: from 60mm to 200mm
Dimensions: 121x85mm (4.7x3.3in)
Unit weight: 0.35kg (0.77lb)

PART NUMBER

UEAP	Pole adaptor in stainless steel AISI 316L
------	---

PACKAGE

Model Number	Weight	Dimensions (WxHxL)	Master carton
UEAP	0.6kg (1.3lb)	9.5x13x19.5cm (3.7x5x7.7in)	-

UEAC

MECHANICAL

Bracket for UEBW (ULISSE EVO) and for NVX, NTX cameras
AISI 316L stainless steel construction
Dimensions: 120x220x128mm (4.7x8.7x5in)
Unit weight: 1.1kg (2.2lb)

PART NUMBER

UEAC	Corner adaptor in stainless steel AISI 316L
------	---

PACKAGE

Model Number	Weight	Dimensions (WxHxL)	Master carton
UEAC	1.45kg (3.2lb)	14.5x26.5x14.5cm (5.7x10.4x5.7in)	-

UEAW

MECHANICAL

Bracket for UEBW, UEBP (ULISSE EVO) and for NVX, NTX cameras
AISI 316L stainless steel construction
Dimensions: 200x200x25mm (7.9x7.9x0.98in)
Unit weight: 1.38kg (3.04lb)

PART NUMBER

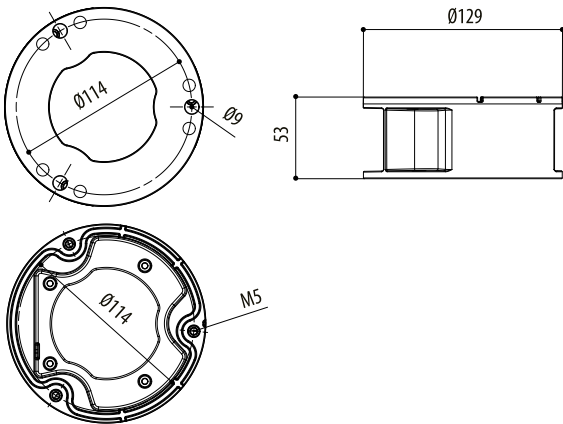
UEAW	Counter-plate in stainless steel AISI 316L
------	--

PACKAGE

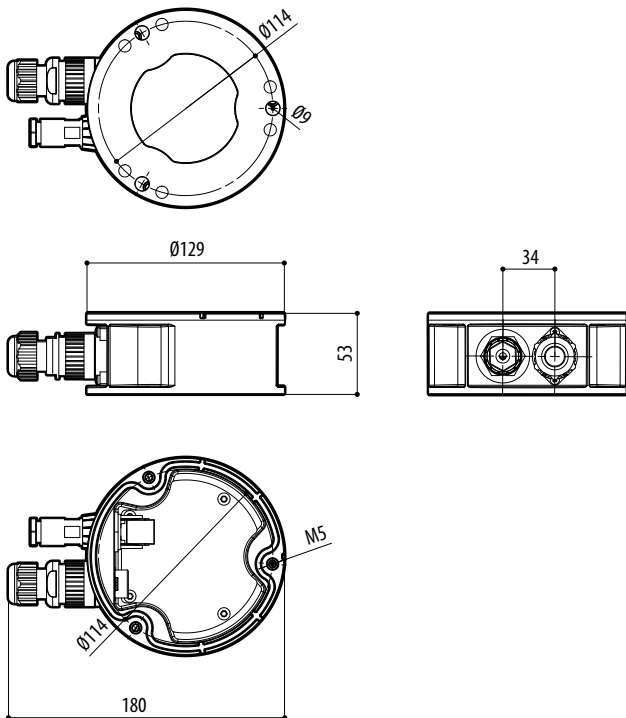
Model Number	Weight	Dimensions (WxHxL)	Master carton
UEAW	1.85kg (4lb)	33x27x7.5cm (13x10.6x3in)	-

TECHNICAL DRAWINGS

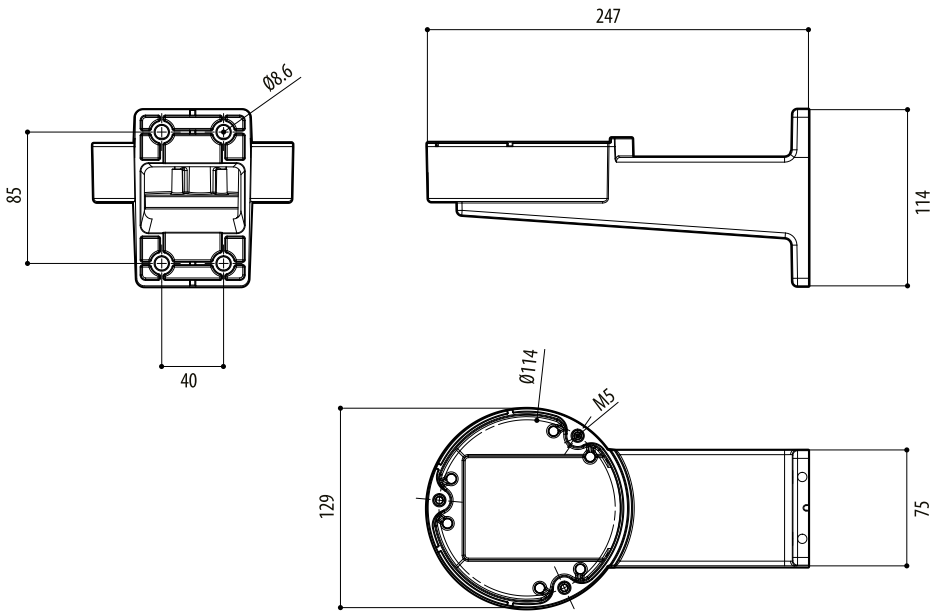
The indicated measurements are expressed in millimetres.



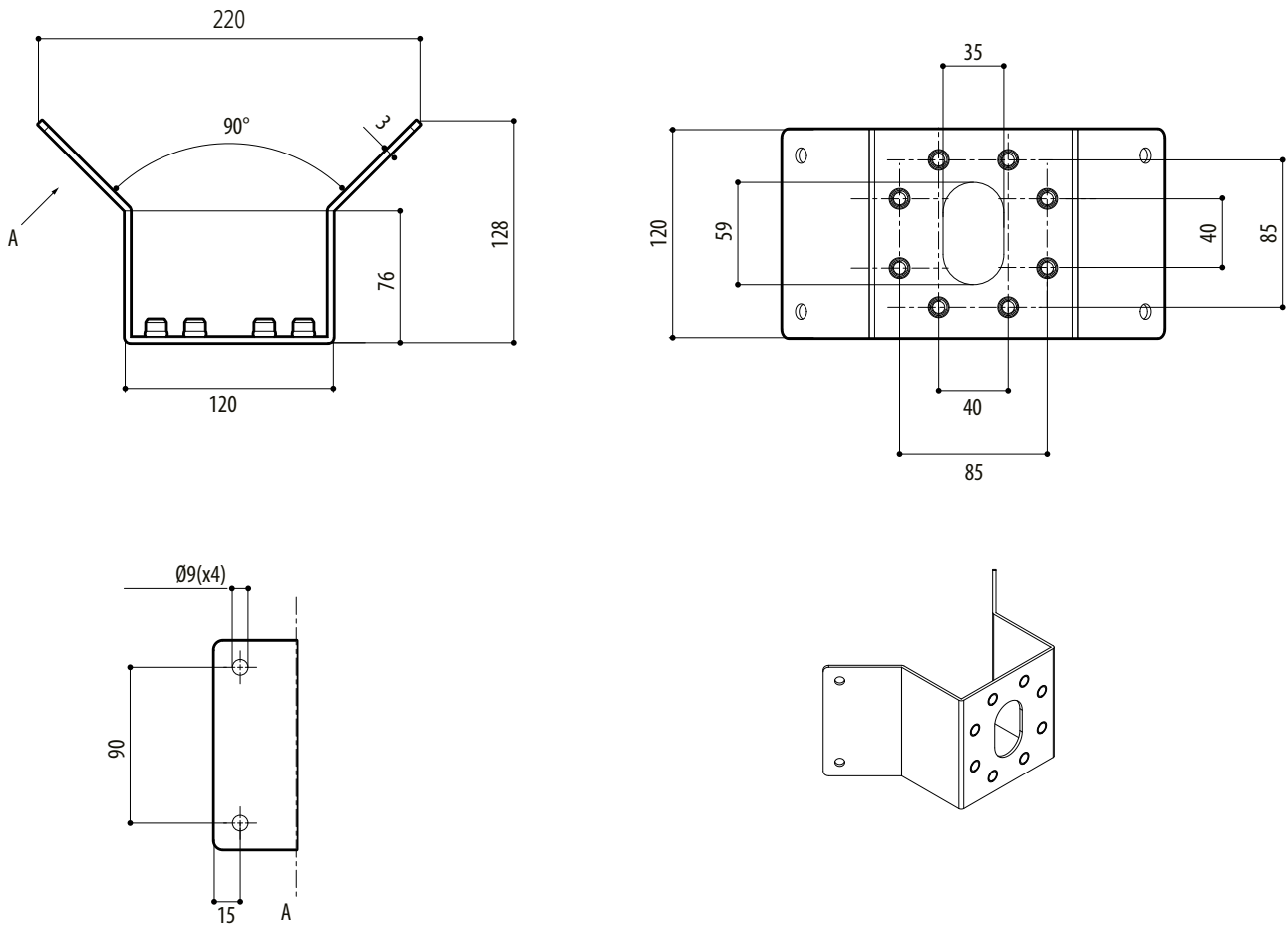
UEAP



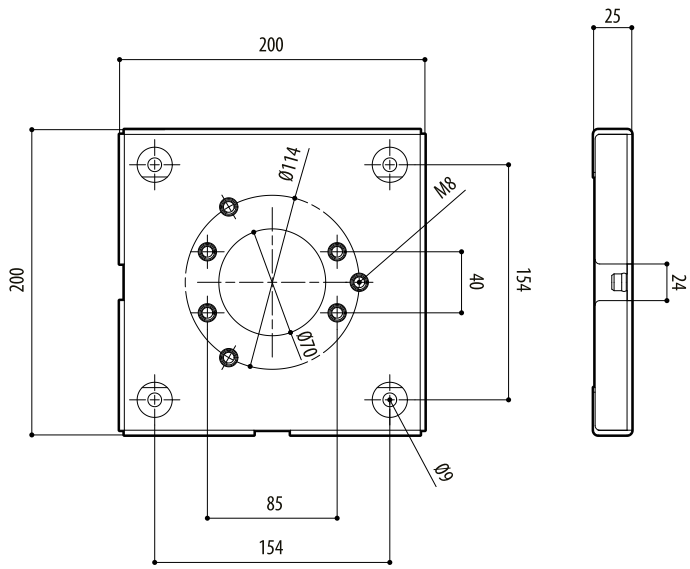
UEBP4 - UEBP7



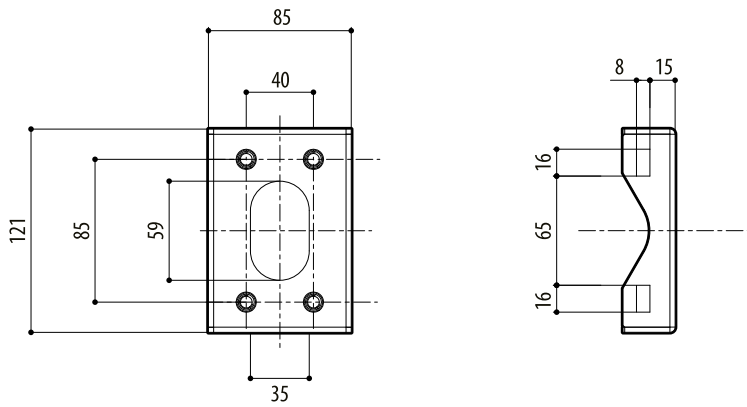
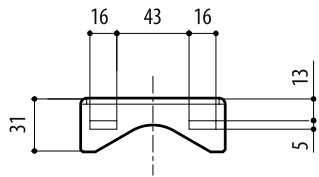
UEBW



UEAC



UEAW



UEAP