

# BRACKETS AND ADAPTERS FOR CAMERA HOUSINGS

## WBJA WALL MOUNT

Made of aluminium

Fully adjustable swivel head

Load rating: 25kg (55lb)

Height: 185mm (7.3in)

Unit weight: 0.6kg (1.3lb)



WBJA

## WBMA WALL MOUNT

Made of aluminium

Fully adjustable swivel head

Load rating: 25kg (55lb)

Length: 204mm (8in)

Unit weight: 0.5kg (1.1lb)



WBMA

## WBOVA2 WALL MOUNT

Made of aluminium

Fully adjustable swivel head

Internal cable management

Load rating: 25kg (55lb)

Length: 204mm (8in)

The sealing rings OWBIP2 or OWBIP3 ensure an IP66 protection to the housing

Unit weight: 0.6kg (1.3lb)



WBOVA2

## WBOV3A2 WALL BRACKET WITH SUPPORT PLATE AND WEATHERPROOF JUNCTION BOX

Made of aluminium

Internal cable management directly to the box

Load rating: 25kg (55lb)

Length: 204mm (8in)

The sealing rings OWBIP2 or OWBIP3 ensure an IP66 protection to the housing

Unit weight: 2.4kg (5.3lb)



WBOV3A2

## WBLA WALL BRACKET FOR HGV

Solid anticorrosive aluminium construction

Load rating: 70kg (154lb)

Length: 457.5mm (18.7in)

Unit weight: 6.6kg (14.5lb)



WBLA

## WCM3A CEILING MOUNT

Made of aluminium

Fully adjustable swivel head

Load rating: 15kg (33.5lb)

Length: 300mm (11.8in)

Unit weight: 1.8kg (4lb)



WCM3A

## WFWCA PARAPET BRACKET

Made of aluminium

Fully adjustable swivel head

Load rating: 15kg (33.5lb)

Length: 185mm (7.3in)

Available extension through WFWBTA

Unit weight: 0.5kg (1.1lb)



WFWCA

**WCM4A2 CEILING MOUNT**

Made of aluminium tube

Internal cable management

Load rating: 15kg (33.5lb)

Length: 412mm (16.2in)

Unit weight: 1.3kg (2.8lb)

**WCM5A CEILING MOUNT**

Made of aluminium

Load rating: 15kg (33.5lb)

Length: 412mm (16.2in)

500mm (19in) linear extension available with WCPA

Unit weight: 1.4kg (3lb)

**WCPA LINEAR EXTENSION FOR WCM4A2 AND WCM5A**

It allows a 500mm (19in) extension

Unit weight: 0.5kg (1.1lb)

**WCWA CORNER MOUNT ADAPTER**

Made of steel

Load rating: 30kg (66lb)

**WSFPA POLE MOUNT ADAPTOR**

Made of aluminium

It allows the internal cable management

Load rating: 30kg (66lb)

For pole diameters: 65÷110mm (2.6÷4.3in)

Unit weight: 0.9kg

**DBHWGC POLE MOUNT ADAPTOR**

Made of steel

For pole diameters: 210÷225mm (8.3÷8.6in)

Load rating: 25kg (55lb)

**WCPA REINFORCING SUPPORT PLATE FOR POOR CONSISTENCY WALLS**

Made of aluminium

Available with a supporting box with internal cable channel

Load rating: 50kg (110lb)

Unit weight: 0.6kg (1.3lb)



WCM4A2

WCM5A



WCPA



WCWA



WSFPA



DBHWGC



WCPA

**HOUSINGS/BRACKETS COMPATIBILITY**

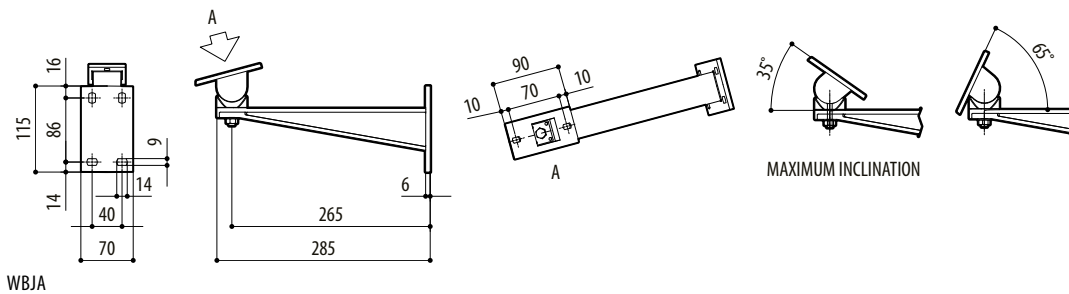
Bracket	Wall					Ceiling			Column
	WBLA	WBJA	WBMA	WBOVA2	WBOV3A2	WCM3A	WCM4A2	WCM5A	WFWCA
Length	457mm (18in)	285mm (11in)	226mm (9in)	201mm (8in)	238mm (9.4in)	300mm (11.8in)	412mm (16.2in)	412mm (16.2in)	185mm (7.3in)
HOV	-	✓	-	✓	✓	✓	✓	✓	✓
HTV	-	✓	-	✓	✓	✓	✓	✓	✓
PUNTO	-	✓	-	✓	✓	✓	✓	✓	✓
VERSO COMPACT	-	✓	✓	✓	✓	✓	✓	✓	✓
VERSO	-	✓	-	✓	✓	✓	✓	✓	✓
HEK	-	-	✓	✓	✓	✓	✓	✓	✓
HEB	-	✓	✓	✓	✓	✓	✓	✓	✓
HEG	-	✓	-	-	-	-	-	✓	✓
HTG	-	✓	-	-	-	-	-	✓	✓
HGV	✓	-	-	-	-	-	-	-	-

PACKAGE			
Model Number	Weight	Dimensions (WxHxL)	Master carton
WBJA	0.7kg (1.5lb)	7.5x12x31cm (3x5x12in)	20
WBMA	0.6kg (1.3lb)	7.5x12x23cm (3x4.7x9in)	25
WBOVA2	0.7kg (1.5lb)	8.5x13x22cm (3.3x5x9in)	25
WBOV3A2	2.5kg (5.5lb)	11x19x53cm (4.3x7.5x21in)	-
WBLA	7kg (15.4lb)	27x18x49cm (10.5x7x19in)	-
WCM3A	2.1kg (4.6lb)	13x32.5x27cm (5x13x11in)	12
WFWCA	1kg (2.2lb)	14.5x15x27cm (6x6x11in)	15

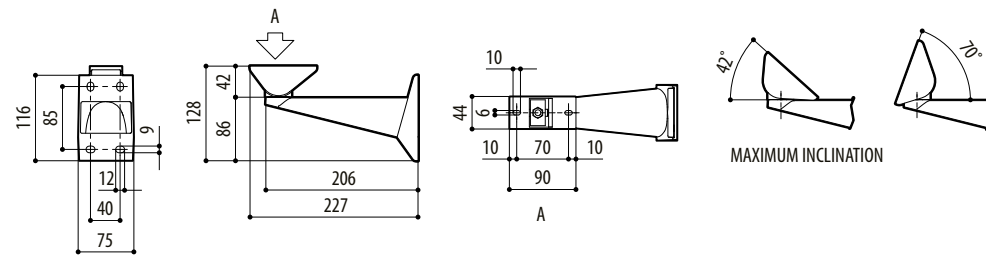
PACKAGE			
Model Number	Weight	Dimensions (WxHxL)	Master carton
WCM4A2	1.7kg (3.7lb)	10.5x37x37cm (4x14x14in)	6
WCM5A	1.7kg (3.7lb)	10.5x37x37cm (4x14x14in)	6
WCM6A	0.6kg (1.3lb)	6x6x58.5cm (2x2x23in)	-
WSFPA	1kg (2.2lb)	10x16x23cm (4x6x9in)	15
DBHWGC	1.5kg (3.3lb)	24x15x22cm (9x6x9in)	10
WCWA	1.1kg (2.2lb)	14.5x15x27cm (6x6x11in)	15
WCPA	07kg (15lb)	10x16x23cm (4x6x9in)	30

**TECHNICAL DRAWINGS**

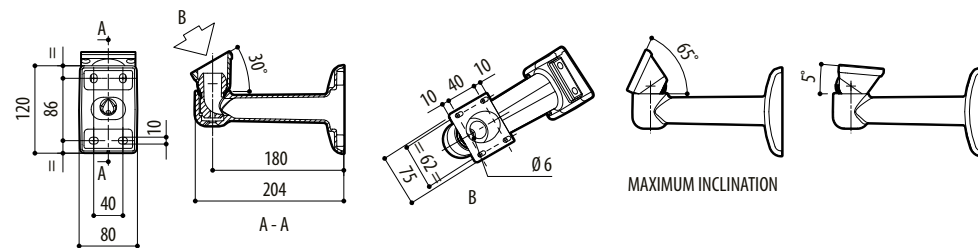
Sizes in millimeters.



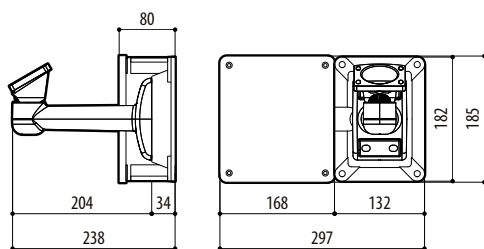
WBJA



WBMA

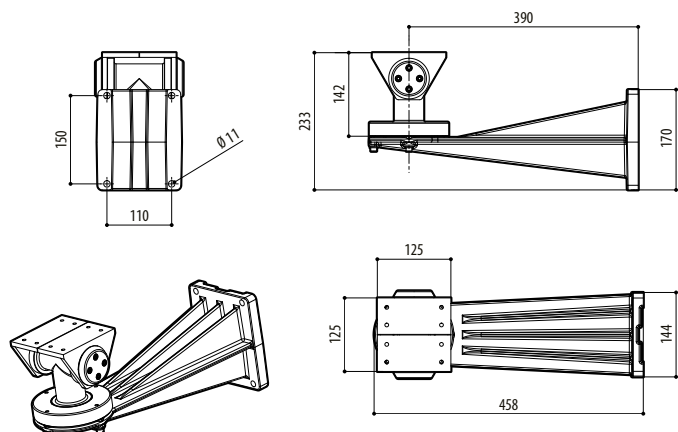


WBOVA2

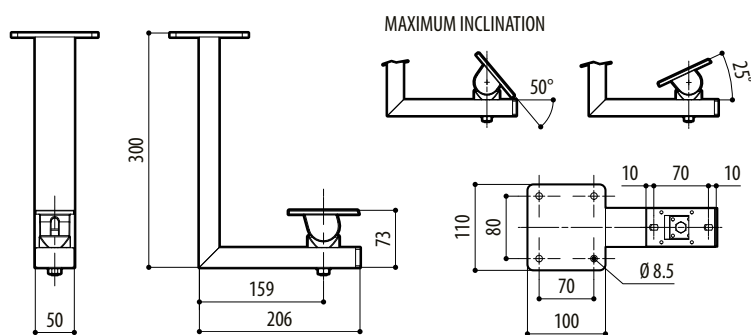


WBOV3A2

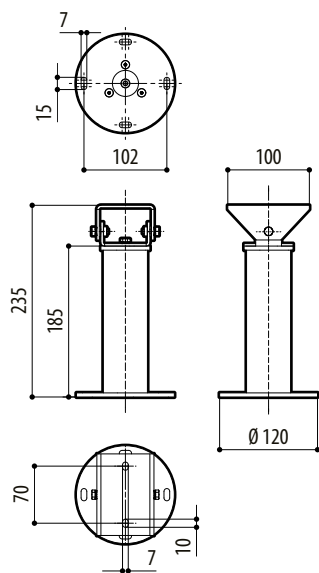
Sizes in millimeters.



WBLA

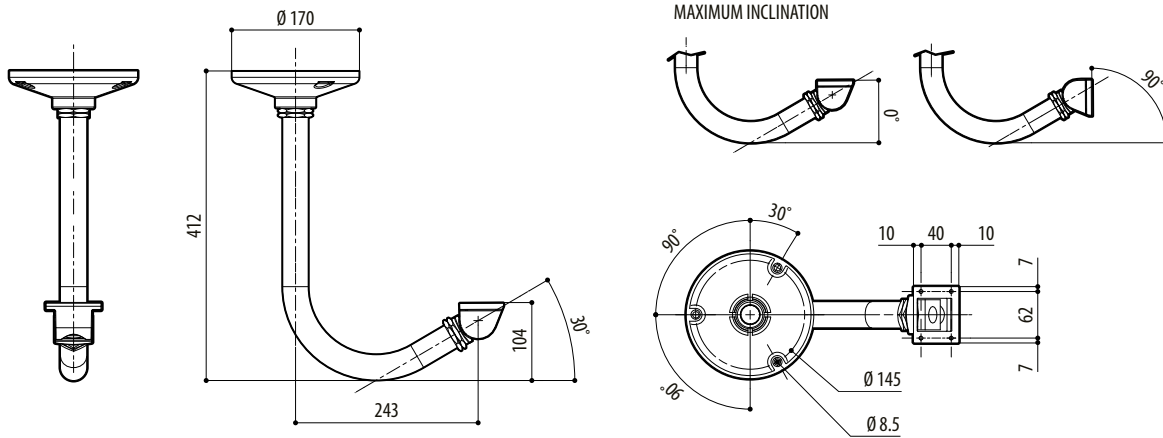


WCM3A

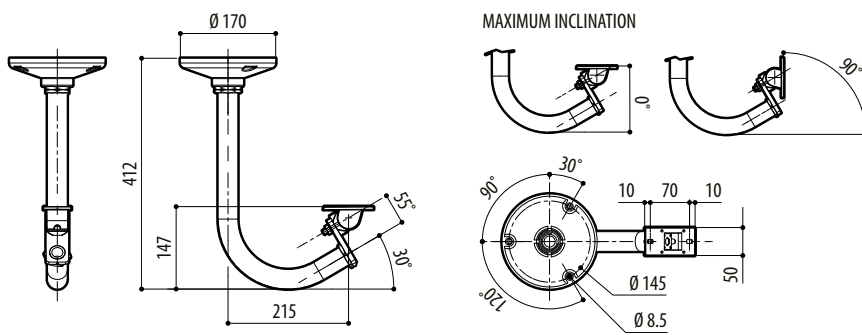


WFWCA

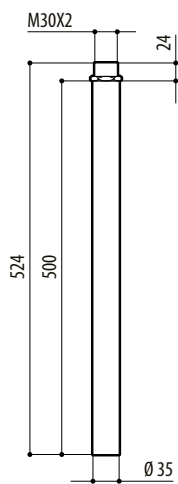
Sizes in millimeters.



WCM4A2

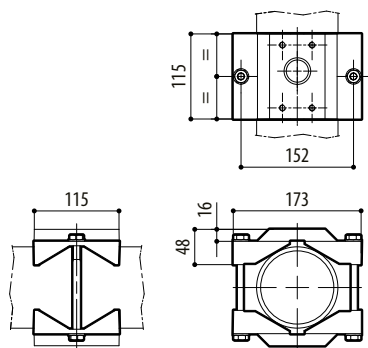


WCM5A

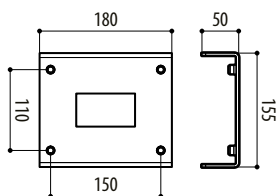


WCMPA

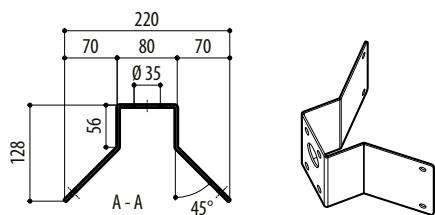
Sizes in millimeters.



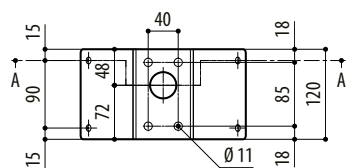
WSFPA



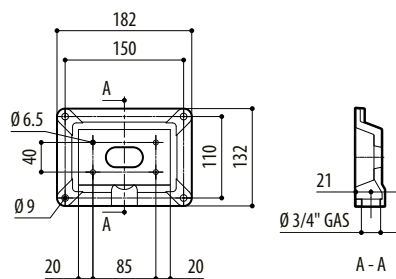
DBHWGC



WCWA



WCWA



WCPA