



BCC-A15JB

BALTER X junction box for outdoor cameras with motor zoom varifocal lens

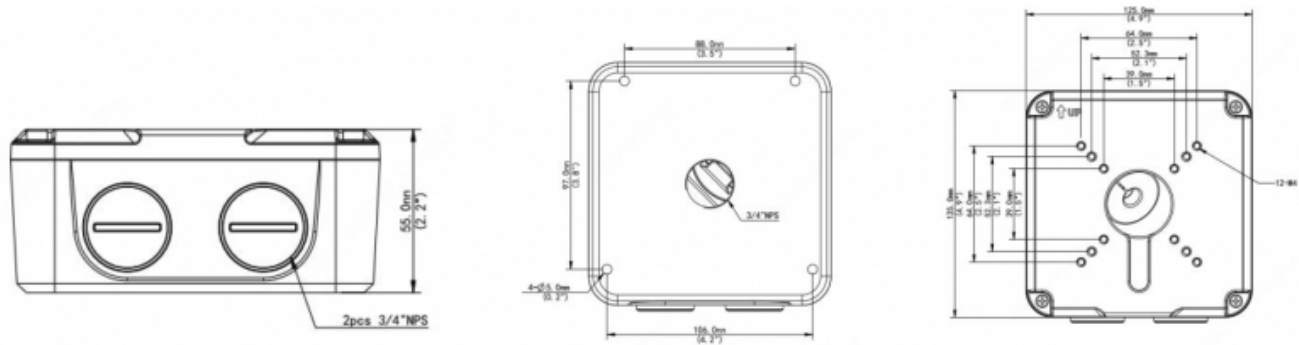
junction box
junction box
Powder coated
Color white

BALTER X junction box for outdoor cameras with motor zoom varifocal lens

125x125x55mm

MOUNTS

Suitable for	BALTER IP X motor zoom outdoor cameras
colour	White
housing material	aluminum
mounting type	Wall and ceiling mounting
Dimensions	125x125x55mm
Weight	750g



BALTER junction box for outdoor cameras with motorized zoom varifocal lens - BCC-A15JB

drilling template

Set of screws and dowels



BCC-A07WJ

BALTER X PG Watertight fitting, plastic, NPT 3/4" for junction boxes

PG gland

interior

Outdoor, IP66

+ Add to compare